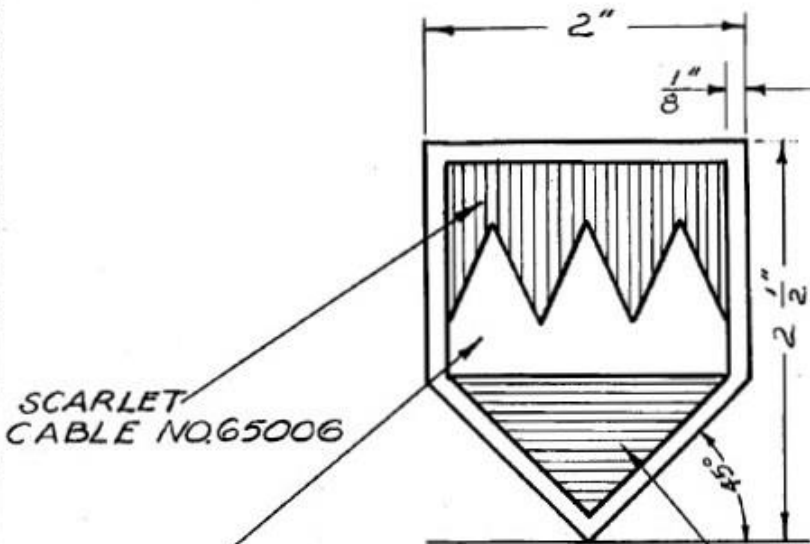


*Arthur E. Aubrey*  
CHIEF HERALDIC BRANCH

APPROVED FOR O. M. G.

CHECKED BY *EM*

DRAWN BY R.R.C.



SCARLET  
CABLE NO. 65006

WHITE  
CABLE NO. 65005

ULTRAMARINE BLUE  
CABLE NO. 65010

3340 STITCHES

ULTRAMARINE BLUE	-----	150/2	DENIER
SCARLET	-----	150/2	DENIER
WHITE	-----	150/2	DENIER

REVISED 28 MAY 54 1 May 56

TITLE

157TH REGIMENTAL COMBAT TEAM

DATE 8 March 54

DEPARTMENT OF THE ARMY  
O. Q. M. G.

DRAWING NO.  
A-1-13

CANCELLED 1 AUGUST 1960